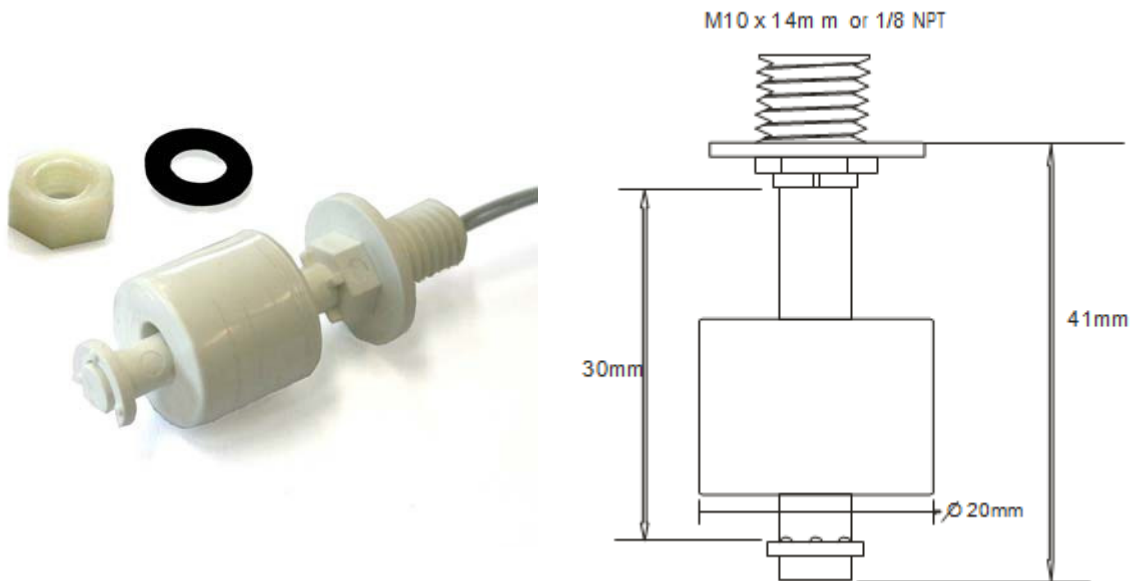


The DEETER Group®



20 Series Vertical Liquid Level Sensor



- Designed for cost sensitive high volume OEM applications.
- High reliability reed switch lifetime of 5 x 10⁸ operations.
- Available in UL/WRC listed PVC, Polypropylene, Nylon and Acetal materials.
- Change from N/O to N/C by inverting float.
- Ideal for beverage, automotive and consumer applications

Mechanical

- M10 or 1/8" NPT Thread
- 200mm Cable length (custom lengths available)
- 0.1A switching current max.
- Float Specific Gravity
 - PVC (0.63)
 - Polypropylene (0.49)
 - Nylon (0.50)
 - Acetal (0.62)
- M10 supplied with nut and washer

Electrical

- Form A switch.
- 24v DC switching volt max.
- 0.1A switching current max.
- 1 Watt max.
- 150v DC breakdown voltage min.
- 7/0.2mm PVC insulated cable
- 7/0.2mm PTFE insulated cable with Acetal switch

DE2	MATERIAL	-	THREAD	A	01
	2- PVC (-20 C TO +65 C)		1- 1/8" NPT	Switch	SWITCHING RATE
	3- Nylon (-20 C to +80 C)		2- M10	A- Form A (N/O)	01 - 1 Watt
	4- Polypropylene (-20 C to + 80 C)				
	5- Acetal (-40 C to + 80 C)				

Example: DE22-2A01 = 20 Series PVC, M10, Form A. 1 watt Float switch.

All electrical equipment should be installed by a qualified electrician.

DEETER ELECTRONICS LTD

Deeter House, Valley Road, Hughenden Valley, Bucks. HP14 4LW
 UK. Tel: 44 (0)1494 566 046 Fax: 44 (0)1494 563 961
 Email: sales@deeter.co.uk Website www.deeter.co.uk

Distributed by: